



Zurn Smart Occupancy Lights

GIVE THE GREEN LIGHT TO RESTROOM COMFORT AND CLEANLINESS

SENSE | RESPOND | ANTICIPATE

Keep your guests comfortable and restrooms stocked, operating, and clean. Zurn Smart Occupancy Lights visually let guests know which stalls are open—all while capturing valuable traffic data for your maintenance and custodial teams. That way, you can ensure a seamless experience every step of the way.

Maximize uptime with real-time data

Using wireless sensors, the Zurn Smart Occupancy Lights give the green light for open stalls and turns red when in use. Meanwhile, the smart technology collects traffic and usage patterns behind the scenes. Your staff can make decisions based on real-time data, like performing tasks during off-peak hours to reduce congestion or stocking supplies for guest satisfaction.



EXTERNAL DISPLAY

Benefits

Sense

- ✓ Color-coded lights prompt guests so they can easily spot open stalls and avoid delays
- ✓ Occupancy data promotes cleaning efficiency and uptime
- ✓ Wireless, battery-free performance reduces issues from latches or locks during install and usage

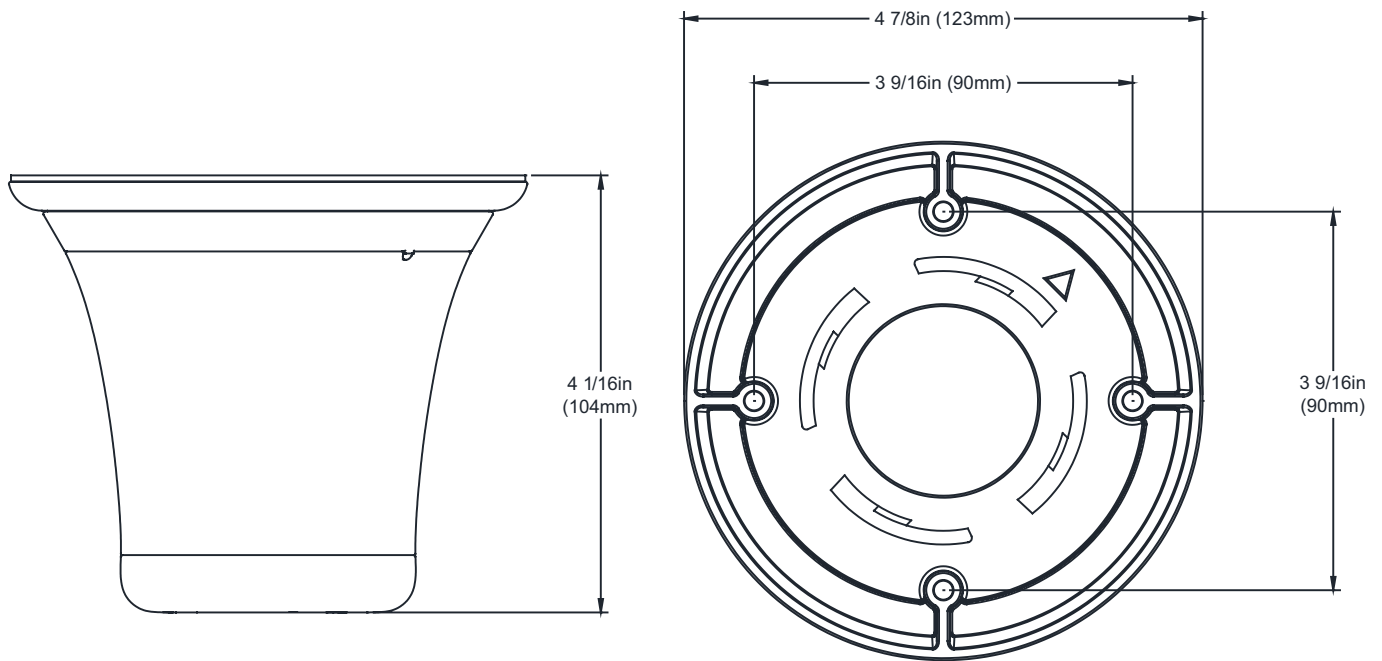
Respond

- ✓ Occupancy and stall turnover data helps staff perform efficient custodial and maintenance tasks
- ✓ Demand-based cleaning reduces unnecessary supply costs
- ✓ Remote monitoring makes it easier to prioritize tasks and optimize staff's time

Anticipate

- ✓ Occupancy data empowers staff to proactively replenish supplies and satisfy guest needs
- ✓ Traffic pattern data shapes future restroom designs
- ✓ Peak hour data allows staff to avoid overcrowding and encourages social distancing

Zurn Smart Occupancy Lights Specification



DIMENSIONS

Specification:

Power Supply: 100-240V AC / 50-60Hz

Working Temperature: -22°F to 122°F

Power Input: 12VDC, 150mA max

Installation Distances: Maximum Height 8'6"
Can be used with extension pole for higher ceilings

Mounting Options: Ceiling or extension pole mounted

Online Connectivity: Wireless communication to Gateway –
Gateway connects via Ethernet or Cellular (Global LTE)
to the cloud

Compliance:

- For commercial and institutional use only
- Meets UL 48
- This device complies with Part 15 of the FCC Rules and ISED
Canada RSS Standards

Warranty: 3 Years

Product Features:

Guest

- Universal red and green light system indicates stall status by turning red when occupied and green when available
- Add-On Option: Restroom entrance display shows the current number of stalls available

Maintenance

- 24/7 remote monitoring tracks guest volumes, most frequently used stalls, and overall restroom performance
- Customizable alerts pinpoint unusual activity, such as stall avoidance during high traffic, for faster troubleshooting
- Secure web portal dives deeper into trends for further insights